

# POLE-MOUNT BULLHORN TENON ADAPTORS

**DESCRIPTION**

Pole-Mount Bullhorn Tenon Adaptors | Bronze Finish

**APPLICATION**

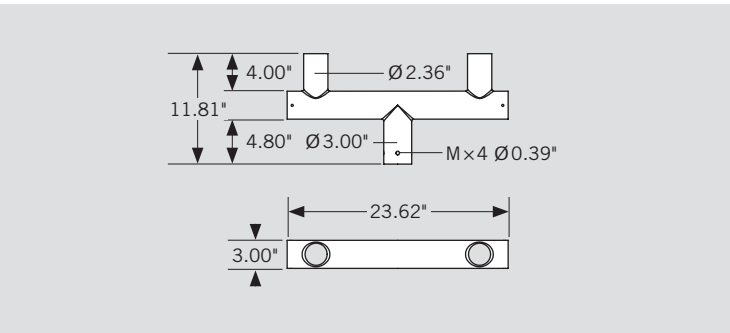
Maximum allowable load per tenon: 110 lbs.



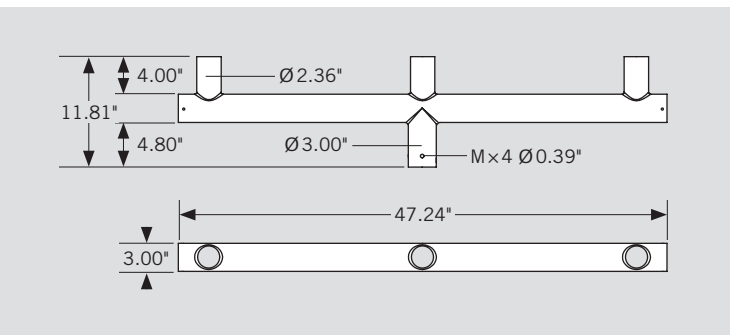
**5 YEAR**  
WARRANTY

**SPECIFICATIONS**

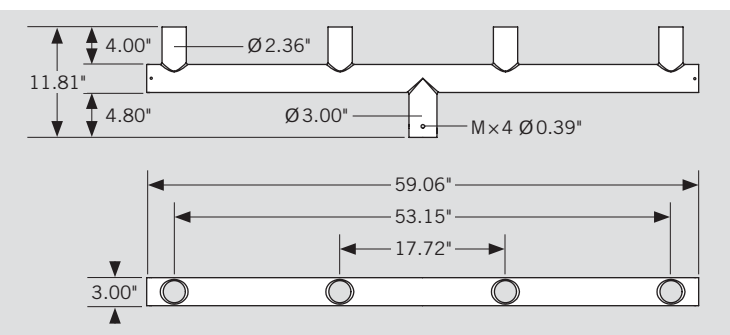
Catalog Number	Description	Finish Color
KT-BH-SF-D180	Dual Bullhorn; In-line 180°; Slips over 2 3/8" Tenon	Bronze



Catalog Number	Description	Finish Color
KT-BH-SF-T180	Triple Bullhorn; In-line 180°; Slips over 2 3/8" Tenon	Bronze



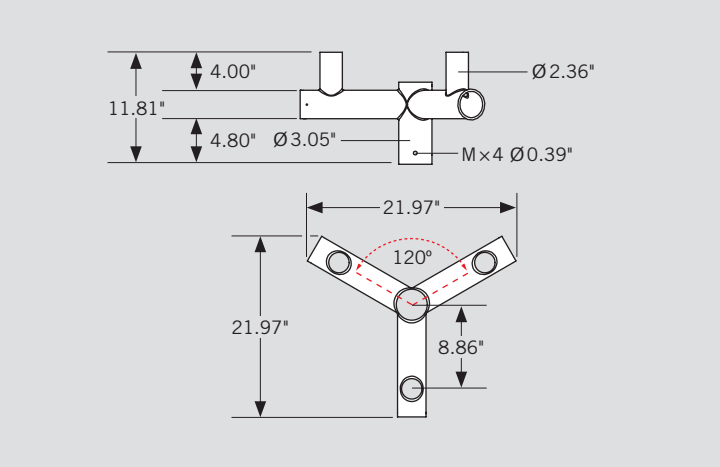
Catalog Number	Description	Finish Color
KT-BH-SF-Q180	Quad Bullhorn; In-line 180°; Slips over 2 3/8" Tenon	Bronze



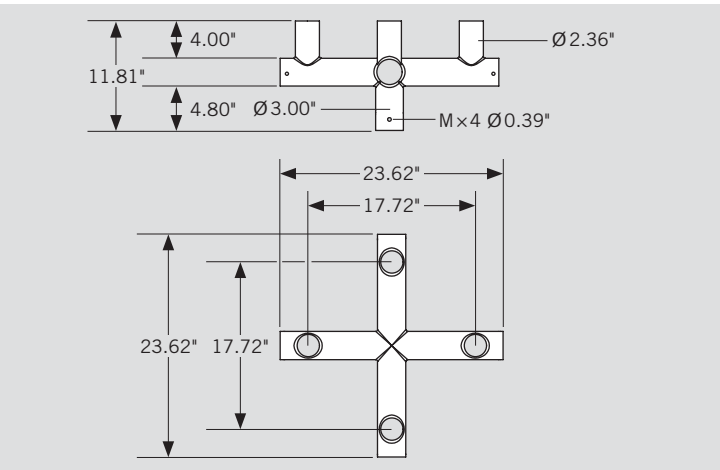
# POLE-MOUNT BULLHORN TENON ADAPTORS

**SPECIFICATIONS** (continued)

Catalog Number	Description	Finish Color
KT-BH-SF-T120	Triple Bullhorn; 120°; Slips over 2 3/8" Tenon	Bronze



Catalog Number	Description	Finish Color
KT-BH-SF-Q90	Quad Bullhorn; 90°; Slips over 2 3/8" Tenon	Bronze





## POLE-MOUNT BULLHORN TENON ADAPTORS

### ORDERING INFORMATION

ORDER CODE	PACK QTY.	UPC	EASY CODE
KT-BH-SF-D180	1	843654131955	EMY-03
KT-BH-SF-T180	1	843654131962	IMM-81
KT-BH-SF-Q180	1	843654131986	BNN-43
KT-BH-SF-T120	1	843654131979	RYB-72
KT-BH-SF-Q90	1	843654131993	HMR-53

### CATALOG NUMBER BREAKDOWN

# KT-BH-SF-XX

1 2 3 4 5

- 1 Keystone Technologies
- 2 Mounting Type
- 3 Adaptor Type
- 4 Mounting Configuration
- 5 Adaptor Position

#### 2 Mounting Type

BH	Pole-Mount Bullhorn
----	---------------------

#### 3 Adaptor Type

SF	Slip Fitter
----	-------------

#### 4 Mounting Configuration

D	Dual
T	Triple
Q	Quad

#### 5 Adaptor Position

90	90°
120	120°
180	180°

# The Lighting - Super Store

unbeatable prices  
unparalleled selection

wholesale warehouse club - no membership fees



LightBulbSurplus  
Light More, Pay Less