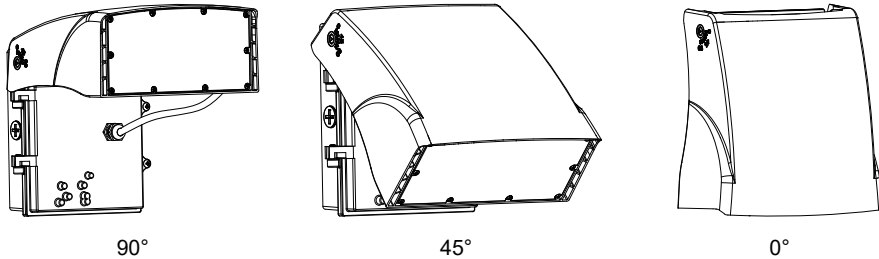


Standard wire:

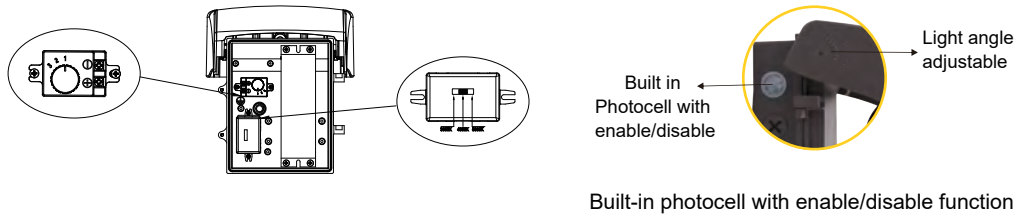
L/live wire: Black\Brown;
N/null wire:White\Blue;
Ground wire: Green\Yellow-green.

Note: To meet the requirements of DLC certification, lamps are limited to the same side of the light-emitting use, not in different directions of illumination use (as shown below)



CCT & Wattage adjustment Instruction

- 1, After the fixture is installed(Step 9), adjust the CCT via a controlling switch as per your demand, with 3000K/ 4000K/ 5000K optional, as shown in below picture;
 - 2, After the fixture is installed(Step 9), adjust the wattage via a controlling knob as per your demand, with 3 settings optional, as shown in below picture;
- Noted: Highest rated wattage and 5000K CCT was setting as default.



Warning/Advertisement:

MIN 90°C SUPPLY CONDUCTORS

THIS PRODUCT MUST BE INSTALLED IN ACCORDANCE WITH THE APPLICABLE INSTALLATION CODE BY A PERSON FAMILIAR WITH THE CONSTRUCTION AND OPERATION OF THE PRODUCT AND THE HAZARDS INVOLVED

LES FILS D'ALIMENTATION 90 °C MIN

CE PRODUIT DOIT ÊTRE INSTALLÉ SELON LE CODE D'INSTALLATION PERTINENT, PAR UNE PERSONNE QUI CONNAÎT BIEN LE PRODUIT ET SON FONCTIONNEMENT AINSI QUE LES RISQUES INHÉRENTS.

LED Luminaire Instruction

Warning:

1. Do not use the electric generator to test the LED lamp;
2. This luminaire must be installed in accordance with your local electrical codes and requirements;
3. Do not install the luminaire in rainy days, to avoid lightning stroke and damage to luminaire.

Installation notice:

1. This luminaire must be installed by qualified electrician to avoid electric shock and fire accident;
2. Wear gloves before installation in order to avoid injury;
3. Turn off the power immediately when there is smoke and fire during installation, inform professionals to overhaul;
4. This luminaire is suitable for outdoor use.

Installation:

Step 1: Loosen the screws on the side fixture housing with an Allen wrench, and rotate the front housing to 90 degrees (Figure 1 & Figure 2);

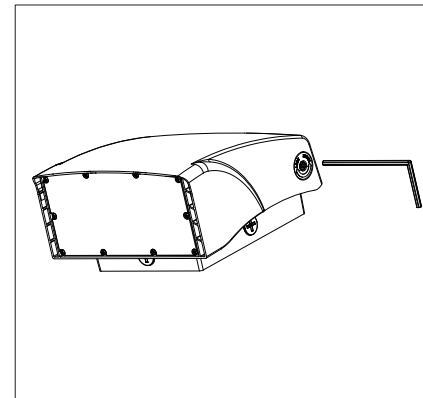


Figure 1

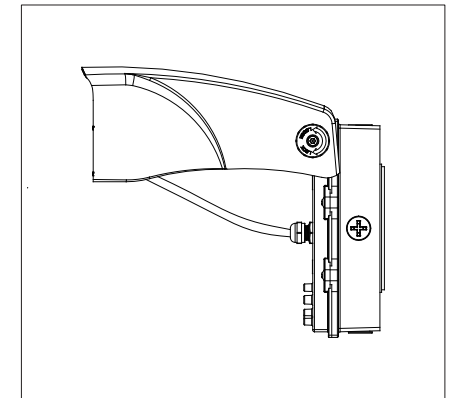


Figure 2

Step 2: Use a screwdriver to remove the screws on the driver box cover and separate the driver box from the front housing(Figure 3 & Figure 4);

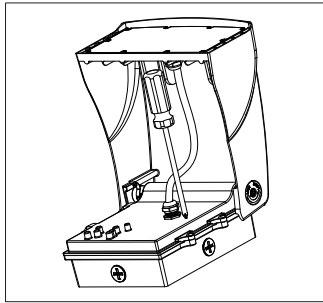


Figure 3

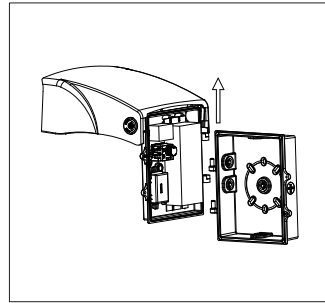


Figure 4

Step 3: Drill an installation holes at the bottom of light, paste the EVA mat(Figure 5 & Figure 6);

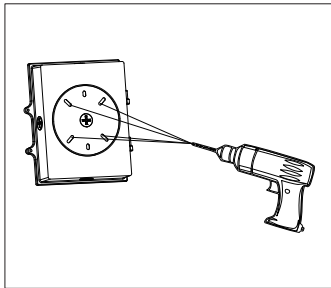


Figure 5

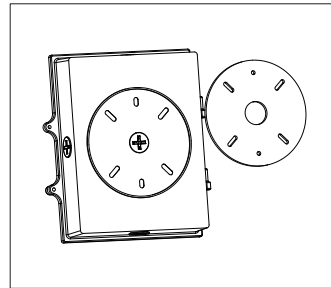


Figure 6

Step 4: Drill holes on the wall according to the locating plate(Figure 7);

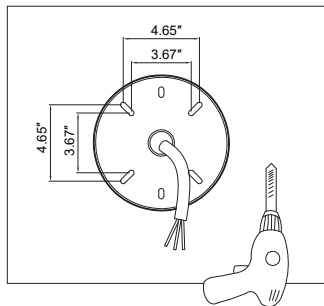


Figure 7

Step 5: Fix rubber anchor plugs into drilled holes (Figure 8);

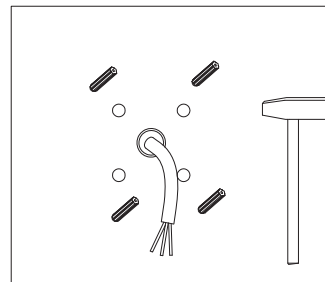


Figure 8

Step 6: Align the holes on the back housing with the holes on the wall, and tighten the screws(Figure 9);

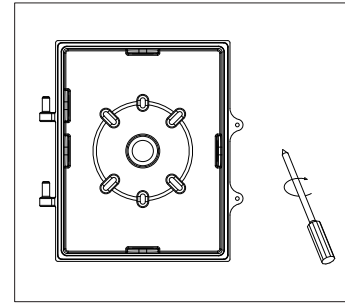


Figure 9

Step 7: Fasten the front housing to the back housing and connect the wires properly (Figure 10 & Figure 11);

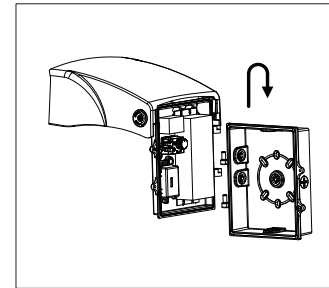


Figure 10

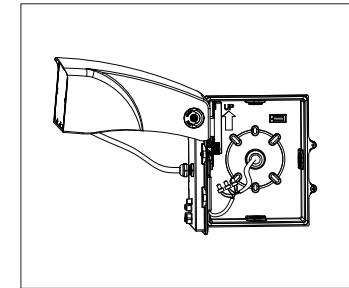


Figure 11

Step 8: Align front and back housing screws and tighten screws and tighten the screws of the lamp base (Figure 12 & Figure 13).

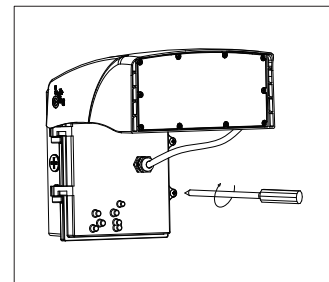


Figure 12

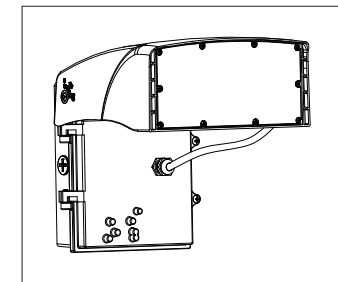


Figure 13