

# LED CEILING LIGHT

Model No. EIN-CL06WH-2030e

Ideal for kitchens, hallways and entryways, this Euri Lighting flushmount ceiling light provides a warm and welcoming illumination in Soft White (3000K) color temperature. Energy efficient and long-lasting, this LED ceiling light reduces energy costs and maintenance worries, while still adding a simple touch of style to any home.



Matte White Bezel & Frosted Plastic Lens



11.5 Watts



Soft White



Dimmable



Energy Efficient



Damp Rated



Integrated LED Fixture

## Electrical Specifications

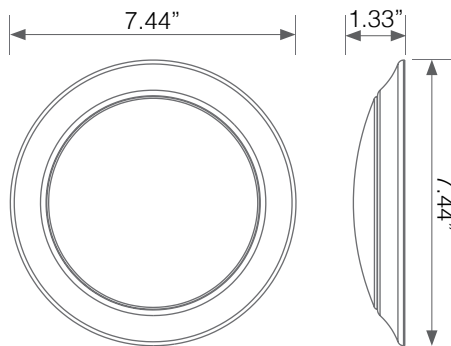
Model No.	Input Power	Input Voltage	Lumen Output	Beam Angle	Center Beam	CCT
EIN-CL06WH-2030e	11.5 W	120V/60Hz	800 lm	111°	N/A	3000 K

CRI	Luminous Efficacy	Power Factor	Input Current	Material	Lamp Lifespan	Estimated Yearly Cost
80	69 lm/W	0.7	0.09 A	Connector	50,000 Hrs.	\$ 1.38

## Mechanical Specifications

Rating	Operational Temperature	Inner Box QTY.	Master Box QTY.	Dimensions(in.)	UPC Code
Damp Rated	-4°F - 104°F	N/A	20 pcs	7.44"(O) x 1.33"(H)	811174030508

## Product Dimensions



## Product Photometric Data

