



Please read and understand this entire manual before attempting to assemble, operate or install the product.



WARNING: First please read all product labels and instruction before installing fixture. Risk of fire or electric shock. LED Retrofit Kit installation requires knowledge of luminaires electrical systems. Installation should be performed only by a qualified electrician in accordance with the National Electrical Code and relevant local code. Install this kit only in the luminaires that have the construction features and dimensions shown in the photographs and/or drawings. To prevent wiring damage or abrasion, do not expose wiring to edges of sheet metal or other sharp objects. Do not make or alter any open holes in an enclosure of wiring or electrical components during kit installation. The recessed luminaire is intended for mounting only in a covered ceiling where only the led side of the luminaire will be exposed to damp or dry locations. **INSTALLATION SHOULD ONLY BE PERFORMED AFTER POWER TO THE FIXTURE HAS BEEN DISCONNECTED.** THIS RETROFIT KIT IS ACCEPTED AS A COMPONENT OF A SUITABILITY OF THE COMBINATION SHALL BE DETERMINED BY AUTHORITIES HAVING JURISDICTION.

Product Information

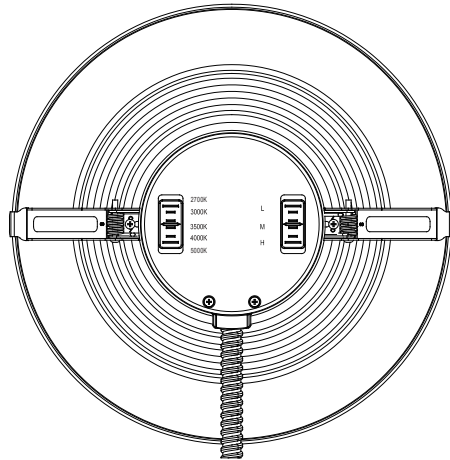
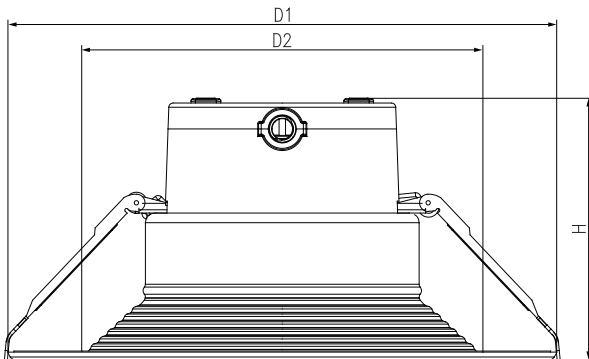
Illustrations on the manual are for installation purpose only. It may not be identical to the fixture purchased.

DIMMABLE

Compatible with most wall based 0-10V dimming controllers

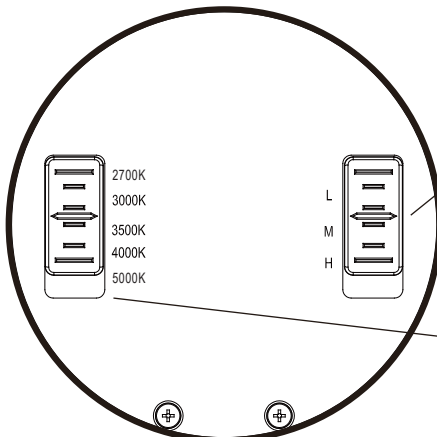


Model No.	Size	D1	D2	H	Cut-out	
					Min.	Max.
87808-SU	4"	5.9"	4.35"	4.0"	ø 4.35"	ø 5.5"
87809-SU	6"	8.2"	5.9"	4.4"	ø 5.9"	ø 7.5"
87810-SU	8"	10.25"	7.5"	4.75"	ø 7.5"	ø 9.45"
87811-SU	9.5"	11.2"	8.25"	4.75"	ø 8.25"	ø 10.25"

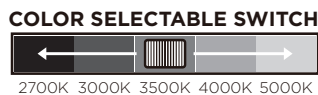


Sunlite's wattage and CCT selector commercial round LED recessed downlight fixture, allows for selecting between power and light temperature settings to match a wide range of applications. With a Color Rendering Index (CRI) of 90, one can expect objects to display excellent color accuracy.

The wattage and CCT selector switches on the fixture's back allows the user to choose between three power settings and five different color temperatures prior to installation.



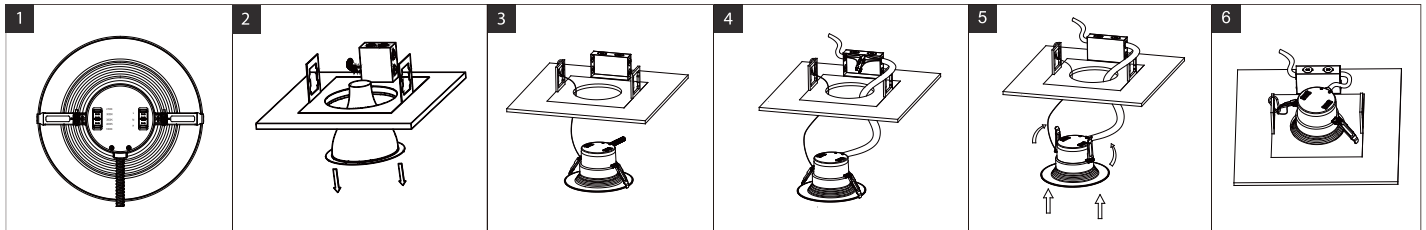
Description	POWER SELECTABLE SWITCH		
	L	M	H
87808-SU	9W	13W	18W
87809-SU	13W	19W	27W
87810-SU	18W	27W	36W
87811-SU	20W	30W	40W



Installation(cont.)

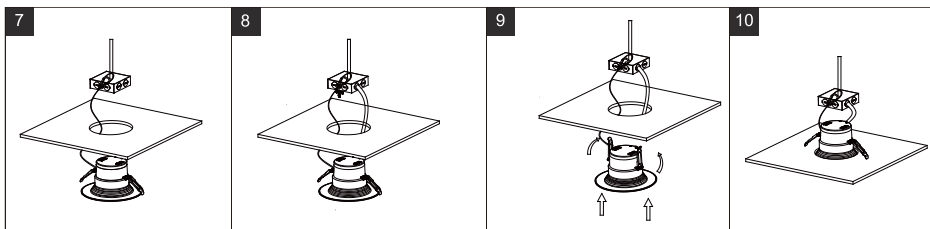
Retrofit Installation

- Step 1: Make sure the POWER is TURNED OFF in which you are installing the products;
- Step 2: Choose CCT & Wattage from the dip switches on back (Fig. 1)
- Step 3: If existing lamp and trim are present, remove from ceiling or move it out of the way as it will not be needed during installation. Measure the ceiling opening to make sure the edge of the luminaire will cover the entire hole and still sit firmly in the ceiling before proceeding; (Fig 2)
- Step 4: Attach the carabiner safety clip to the existing fixture housing (Fig. 3)
- Step 5: Insert lamp conduit into the J-box and wire to power source (black to hot, white to neutral, violet to 0-10V dimming positive, gray to 0-10V dimming negative) (Fig. 4). Reattach J-box cover when done;
- Step 6: Squeeze the two housing clips so they are in an upright position and insert lamp into housing (Fig. 5);
- Step 7: Once lamp is inside the housing, release the housing clips and continue pushing lamp into housing until securely fixed and flush with ceiling (Fig. 6);
- Step 8: Restore power at the source and the installation is complete.



New Construction Installation

- Step1: Make sure the POWER is TURNED OFF in which you are installing the product;
- Step 2: Choose CCT & Wattage from the dip switches on back (Fig. 1)
- Step3: Attach the carabiner safety clip to the existing fixture housing (Fig.7)
- Step4: Insert lamp conduit into the J-box and wire to power source (black to hot, white to neutral, violet to 0-10V dimming positive, gray to 0-10V dimming negative) (Fig. 8). Reattach J-box cover when done;
- Step5: Squeeze the two housing clips so they are in an upright position and insert lamp into opening (Fig.9);
- Step6: Once lamp is inside the opening, release the housing clips and continue pushing lamp into opening until securely fixed and flush with ceiling (Fig.10);
- Step7: Restore power at the source and the installation is complete.



Sunshine Lighting Company
744 Clinton Street Brooklyn, NY 11231, USA
T. 718.768.7000
F. 718.768.0970
www.sunlite.com