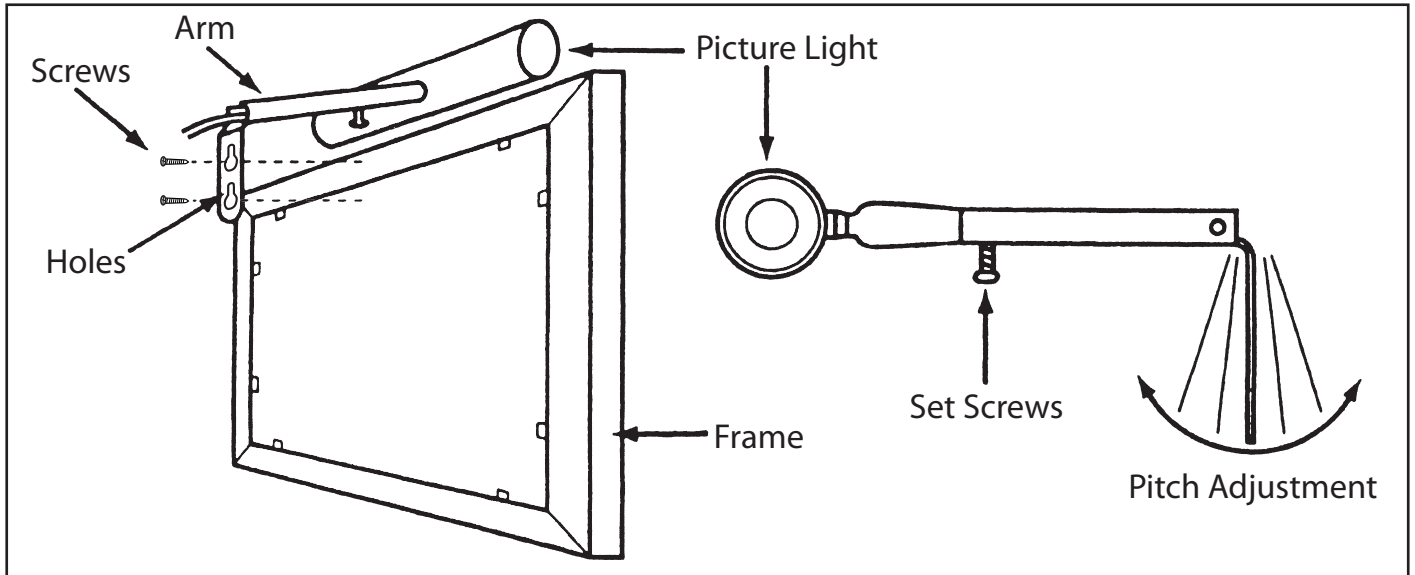




Westinghouse

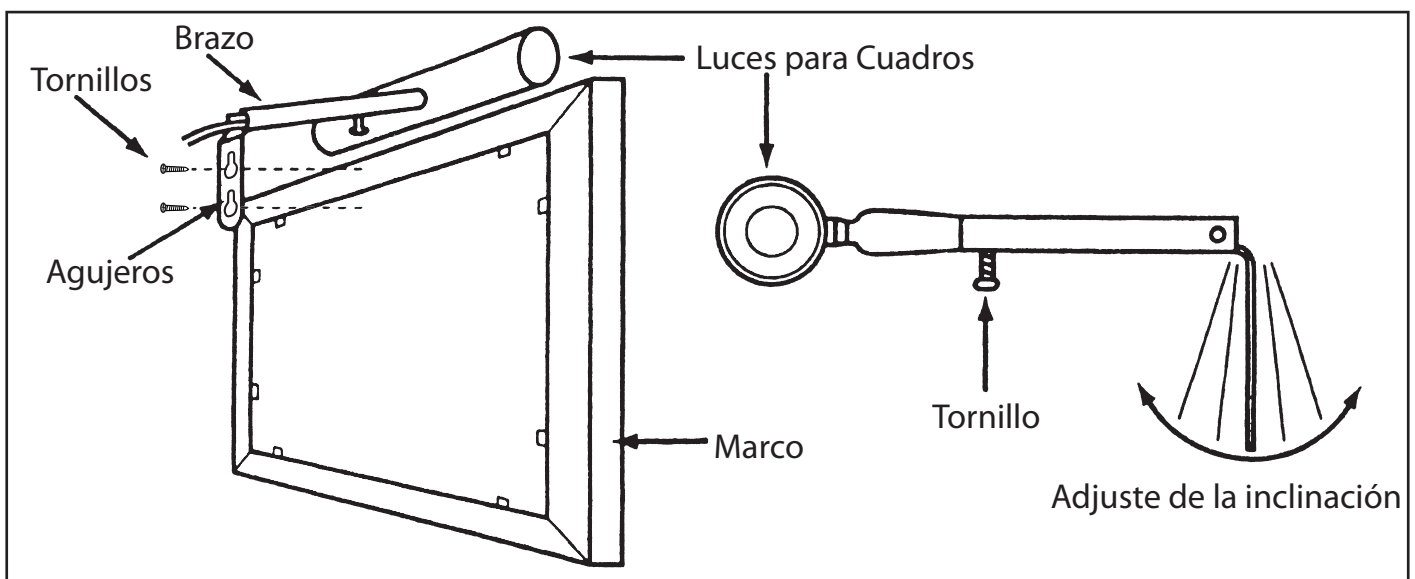
# INSTRUCTIONS

- STEP 1: Mark a center line on back of picture frame.
- STEP 2: Line up holes of arm with center of frame.
- STEP 3: Attach arm to back of picture frame with screws provided.
- STEP 4: Adjust depth and pitch of light.
- STEP 5: Tighten set screws.



# INSTRUCCIONES

- PASO 1: Marcar un eje longitudinal en la parte posterior del marco del cuadro.
- PASO 2: Alinear los agujeros del brazo con el centro del marco.
- PASO 3: Acoplar el brazo posterior del marco del cuadro con los tornillos suministrados.
- PASO 4: Ajustar la profundidad la inclinación de la lámpara.
- PASO 5: Aprieta el tornillo.



Westinghouse Lighting, Philadelphia, PA 19154-1029, U.S.A.  
www.westinghouselighting.com

WESTINGHOUSE, and INNOVATION YOU CAN BE SURE OF are trademarks of Westinghouse Electric Corporation. Used under license by Westinghouse Lighting. All rights reserved. Made in China

ES-WH-043