

## INDOOR/OUTDOOR FLUSHMOUNT LIGHT

| Wattages              | Lumens**      | Dimming |
|-----------------------|---------------|---------|
| (2) x Medium E26 Base | 2 x 40W (Max) | -       |
| Integrated LED 13W    | 1280lm        | Triac   |
| Integrated LED 14W    | 1500lm        | Triac   |
| Integrated LED 22W    | 2130lm        | Triac   |



## PRODUCT FEATURES

- Frost Anti-Glare® or Clear Acrylic Diffuser
- Fade & Rust Resistant Composite Frame
- Wall or Ceiling Flush Mount
- Buy American Act Compliant
- White Aluminum Pan
- 2x E26 Socket or Integrated LED
- UL Listed for Wet Location
- 5 Year Warranty (LED Models)

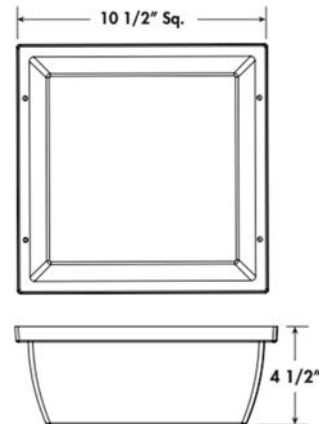
## ORDER GUIDE: (Example: 18161-13LED-120-30K)

| Family | Lens Color             | Pan       | Wattage                 | CCT                          | Options           |
|--------|------------------------|-----------|-------------------------|------------------------------|-------------------|
| 181    | 6 - Frost<br>9 - Clear | 1 - White | -2E26 - 2 x Medium Base | -                            | -                 |
|        |                        |           | -13LED-120 - 13W (120V) | -30K - 3000K<br>-40K - 4000K | OS- Motion Sensor |
|        |                        |           | -14LED-120 - 14W (120V) |                              |                   |
|        |                        |           | -22LED-120 - 22W (120V) |                              |                   |

## PHYSICAL CHARACTERISTICS

### DIMENSIONS

|               |        |
|---------------|--------|
| Length (in.): | 10.50" |
| Width (in.):  | 10.50" |
| Depth (in.):  | 4.50"  |



## REPLACEMENT PARTS

**LENS-1816** | Frosted Lens

**LENS-1819** | Clear Prismatic Lens